

GETTING STARTED

MEASURE YOUR SPACE

Accurate measurements are essential to planning your new kitchen. With these measurements your designer will be able to help you create your dream kitchen.

FLOOR PLAN

Using the measuring procedure illustrated, carefully prepare a simple floor plan of your existing kitchen. Your completed floor plan should resemble the diagram shown. Make sure you show the exact locations of doors, windows, range hood vents, gas lines, water lines, drains, switches, outlets, light fixtures, and vents. Double-check all measurements.

MEASURING PROCEDURE

Using a tape measure and graph paper, measure as outlined.

Horizontal Measurement

1. Measure from wall to wall at 36" height.
2. Measure from corner to window or door opening.
3. Measure across opening from trim edge to trim edge.
4. Measure from edge of trim to far wall. Compare sum of #2, #3 and #4 measurements to step #1.
5. Mark exact locations of water line, drain, gas line and electrical outlets/switches on drawing.
6. Measure from wall to wall above window and compare to #1.

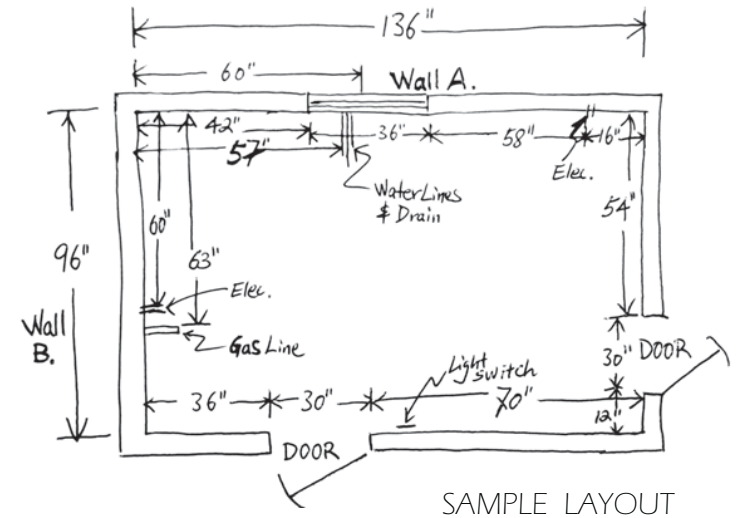
Vertical Measurement

7. Measure from floor to window sill.
8. Measure from window sill to top of window.
9. Measure from top of window to ceiling.
10. Measure from floor to ceiling - Compare to sum of #7, #8 and #9.

APPLIANCE / FIXTURE INFORMATION

Show desired locations of appliances on drawing. It is very important to indicate natural gas locations, 220 volt outlets, and wall mounted telephone locations (T) and cable TV outlet location (CTV).

	Type	Size (WxHxD)	Hinge Position (L/R)
Refridgerator			
Range			
Cooktop			
Dishwasher			
Sink			
Disposal			
Trash Compactor			
Other			



WALL A

WALL B

